

- Customer Friendly Operation
- Precise Metrology Equipment
- High Performance Hydraulic & Electronic Components
- High Quality Explosion Proof Motors
- Specially designed reusable (cleanable) fuel filtering cartridges
- Available as a dispenser or pump
- Suitable for both diesel and motor spirit
- Works well in harsh Australian conditions
- NMI & ANZEX Approved
- Preset Option
- Available in 4, 6 and 8 hose variants
- Hydraulic pipework matches visual layout (i.e. Product inlet and metering are NOT inverted)

Technical Specifications

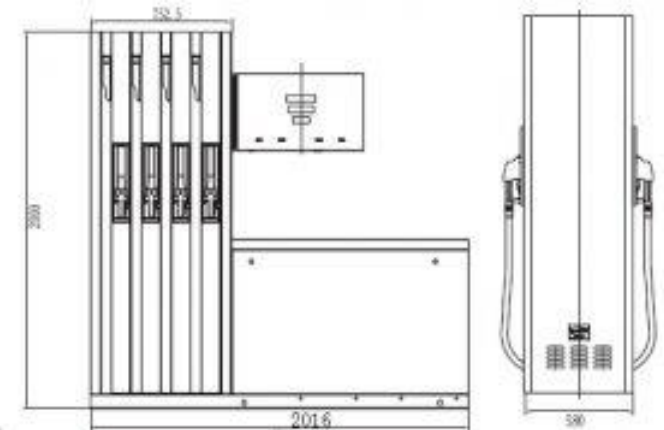
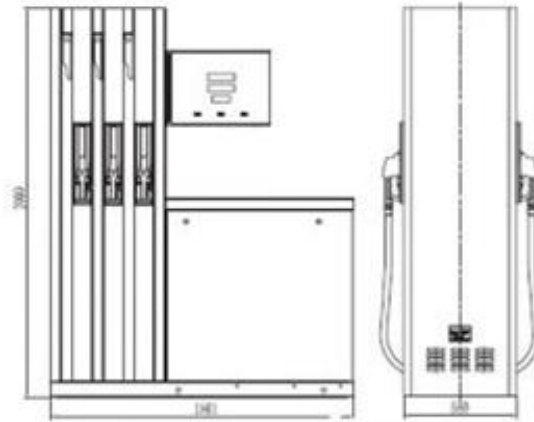
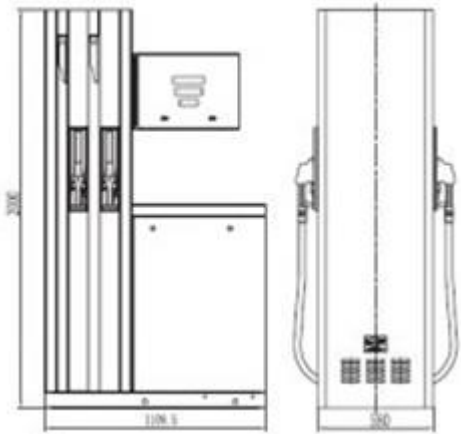
Accuracy	± 0.25%
Flow Rate	45L/min
Ambient Temperature	-25°C ≈ +55°C
Relative Humidity	0% - 95%
Unit Noise Rate	< 70dB
Inlet Vacuum Rate (Suction Pump)	≥ 54kPa
Communication Protocols Supported	Sanki RS485, NZPP (PEC/Compac), Gilbarco*
Power Supply	AC 220V, AC380V (-15% ≈ +10%)
Sale Digits	7 (0.00 – 99999.99) Decimal Adjustable
Volume Digits	6 (0.00 – 9999.99) Decimal Adjustable
Unit Price Digits	5 (0.00 – 999.99) Decimal Adjustable
NMI Approval Number	5-6A-231
ANZEX Approval Number	ANZEx 15.2008X

Contact us to confirm controller compatibility

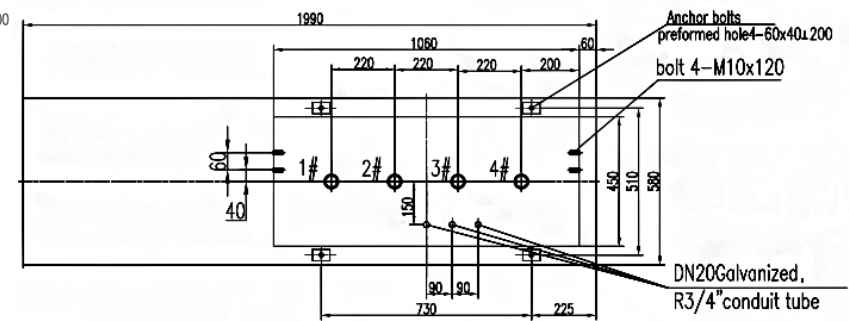
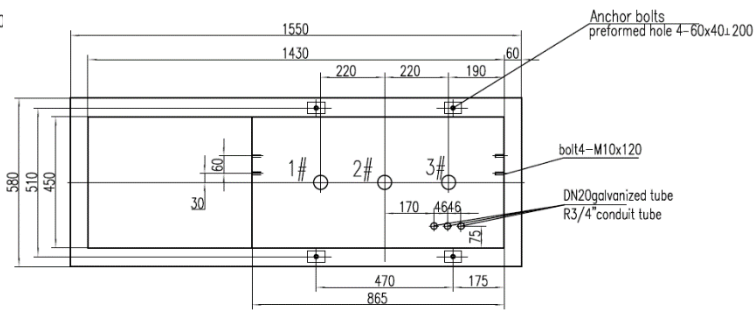
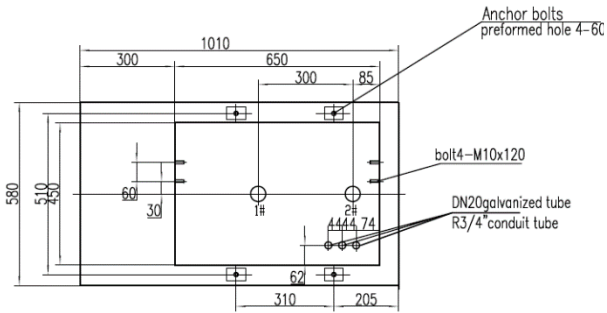


Models

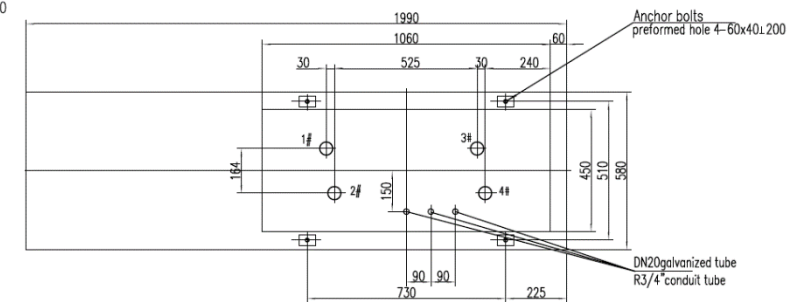
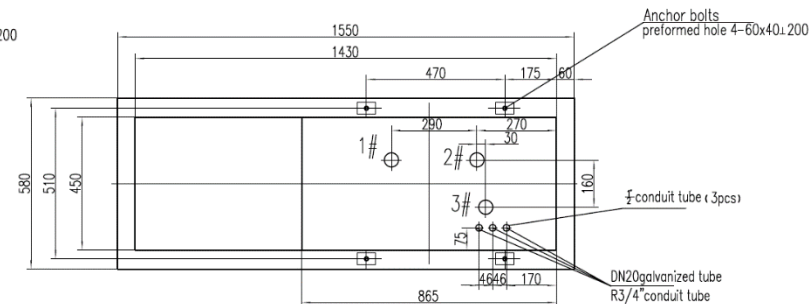
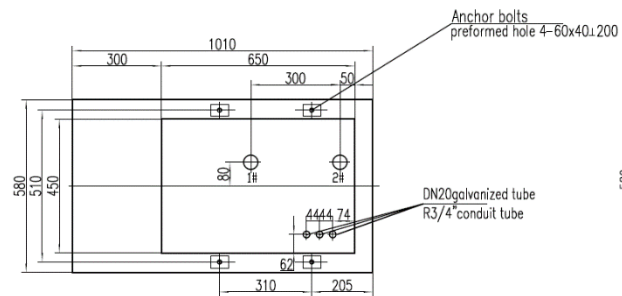
Model	Type	Nozzles	Products	Flow Meters	Main Displays	Package Size (mm)	Gross Weight	Unit Size (mm)	Connection Height Above Ground (mm)
SK65GF422B	Pump	4	2	4	2	1180 x 740 x 2115	375kg	1250 x 550 x 2380	N/A
SK65GF632B	Pump	6	3	6	2	1633 x 740 x 2115	489kg	1250 x 550 x 2380	N/A
SK65GF842B	Pump	8	4	8	2	2087 x 740 x 2115	610Kg	1250 x 550 x 2380	N/A
SK65QF422B	Dispenser	4	2	4	2	1180 x 740 x 2115	275kg	1250 x 550 x 2380	150mm
SK65QF632B	Dispenser	6	3	6	2	1633 x 740 x 2115	340kg	1250 x 550 x 2380	150mm
SK65QF842B	Dispenser	8	4	8	2	2087 x 740 x 2115	410kg	1250 x 550 x 2380	150mm



Dispenser



Pump



www.sanki-aus.com.au
1300 783 708

Sanki Australia
Ph: 0499 118 626
info@sanki-aus.com.au