

- Customer Friendly Operation
- Precise Metrology Equipment
- High Performance Hydraulic & Electronic Components
- High Quality Explosion Proof Motors
- Specially designed reusable (cleanable) fuel filtering cartridges
- Available as a dispenser or pump
- Suitable for both diesel and motor spirit
- Works well in harsh Australian conditions
- NMI & ANZEX Approved
- Preset Option
- Available in 4, 6 and 8 hose variants
- Hydraulic pipework matches visual layout (i.e. Product inlet and metering are NOT inverted)

### Technical Specifications

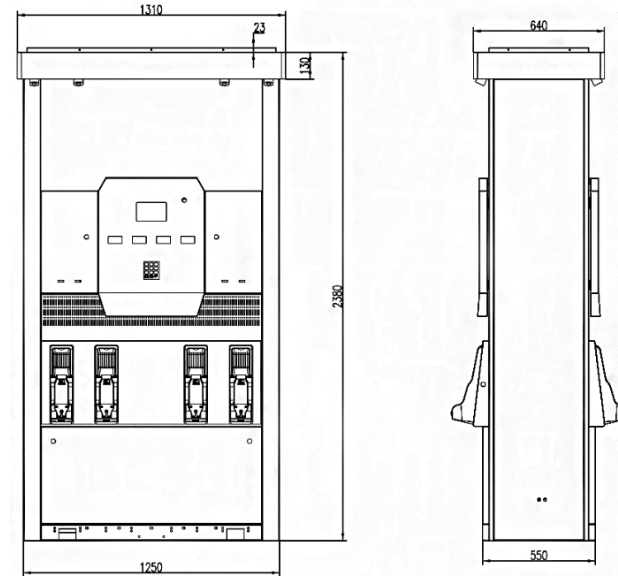
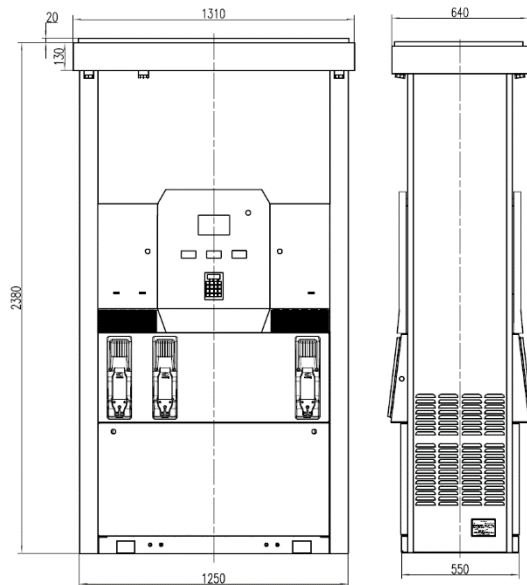
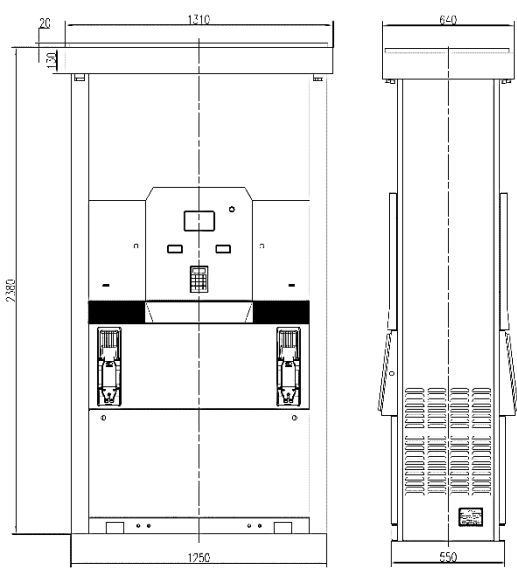
Accuracy	± 0.25%
Flow Rate	45L/min
Ambient Temperature	-25°C ~ +55°C
Relative Humidity	0% - 95%
Unit Noise Rate	< 70dB
Inlet Vacuum Rate (Suction Pump)	≥ 54kPa
Communication Protocols Supported	Sanki RS485, NZPP (PEC/Compac), Gilbarco*
Power Supply	AC 220V, AC380V (-15% ~ +10%)
Sale Digits	7 (0.00 – 99999.99) Decimal Adjustable
Volume Digits	6 (0.00 – 9999.99) Decimal Adjustable
Unit Price Digits	5 (0.00 – 999.99) Decimal Adjustable
NMI Approval Number	5-6A-231
ANZEX Approval Number	ANZEx 15.2008X

Contact us to confirm controller compatibility

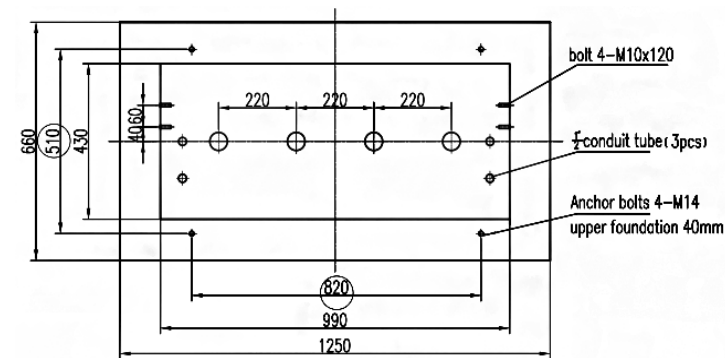
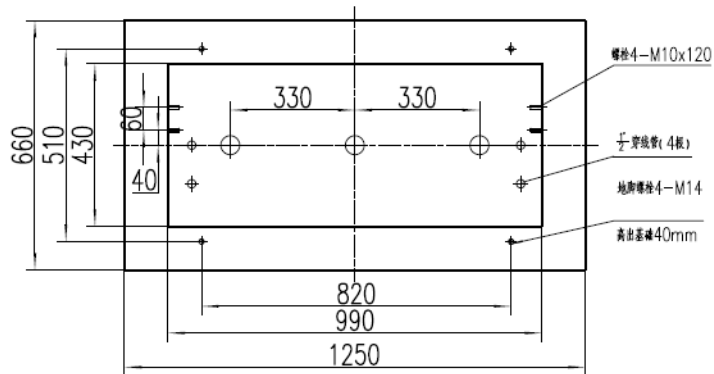
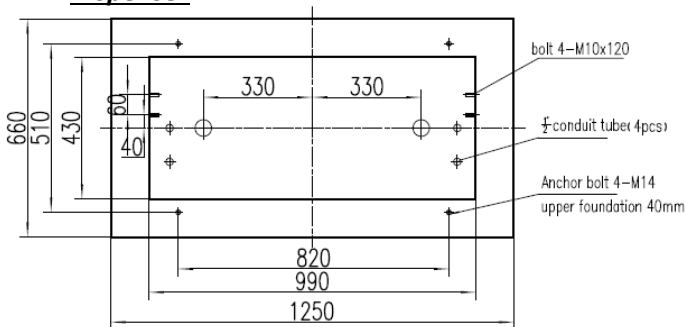


### Models

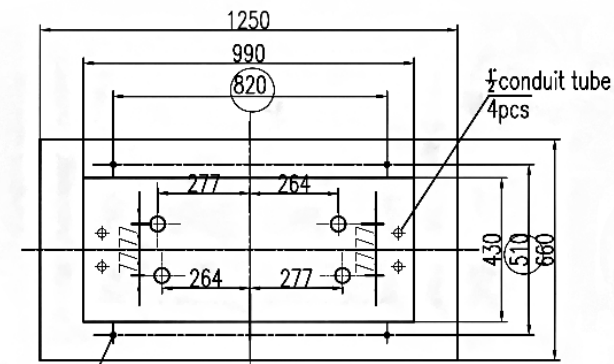
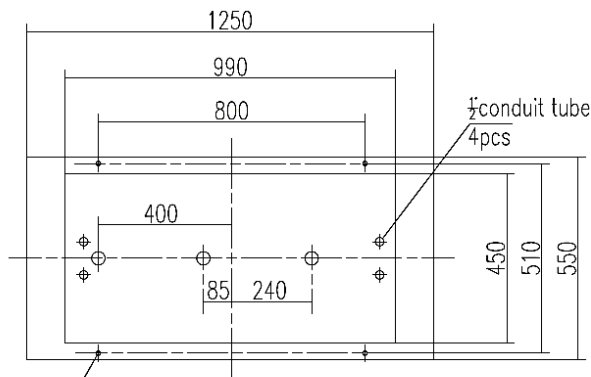
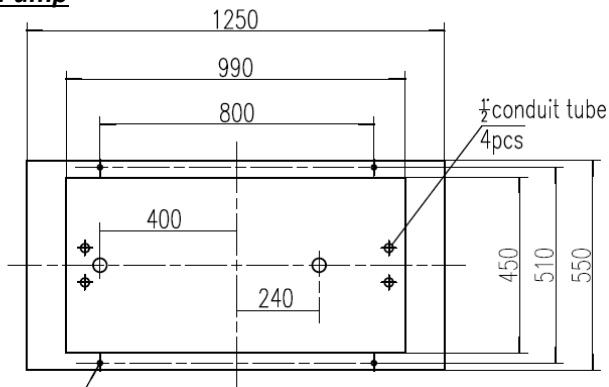
Model	Type	Nozzles	Products	Flow Meters	Main Displays	Package Size (mm)	Gross Weight	Unit Size (mm)	Connection Height Above Ground (mm)
SK56GF422B	Pump	4	2	4	2	1318 x 820 x 2480	345kg	1250 x 550 x 2380	N/A
SK56GF632B	Pump	6	3	6	2	1318 x 820 x 2480	444kg	1250 x 550 x 2380	N/A
SK56GF842B	Pump	8	4	8	2	1318 x 820 x 2480	550kg	1250 x 550 x 2380	N/A
SK56QF422B	Dispenser	4	2	4	2	1318 x 820 x 2480	295kg	1250 x 550 x 2380	150mm
SK56QF632B	Dispenser	6	3	6	2	1318 x 820 x 2480	325kg	1250 x 550 x 2380	150mm
SK56QF842B	Dispenser	8	4	8	2	1318 x 820 x 2480	505kg	1250 x 550 x 2380	150mm



**Dispenser**



**Pump**



Anchor bolt 4-M14 upper foundation 40mm

Anchor bolt 4-M14 upper foundation 40mm

Anchor bolts 4-M14 upper foundation 40mm